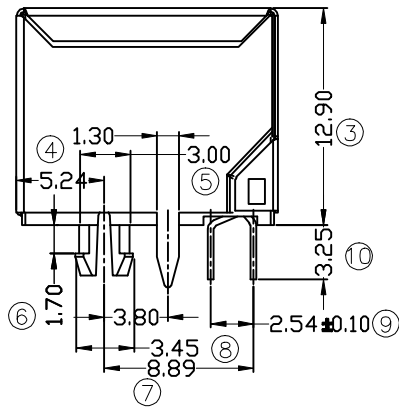


PCB LAYOUT/TOP VIEW



Electrical:

- 1.Voltage Rating: 125 Vac Rms
- 2.Current Rating: 1.5 Amp
- 3.Contact Resistance: 40 Milliohms Max
- 4.Insulation Resistance: 1000 Megohms Min@500 Vdc
- 5.Dielectric Strength: 1000 Vac Rms 60Hz,1Min

Mechanical:

- 1.Operating: 750 Cycles Min

Environmental:

- 1.Storage: -40°C To +85°C
- 2.Opertion: -20°C To +75°C

Mates With Modular Plug Conforming To FCC Part 68,Subpart F

Notes:

MATERIALS

HOUSING: ENGINEERING THERMOPLASTIC FLAMMABILITY UL 94V-0

CONTACTS: PHOSPHOR BRONZE

PLATING: GOLD PLATING OVER NICKEL IN CONTACT  
TIN PLANTING OVER NICKEL IN SOLDER AREA

SHIELD: BRASS PLATING NICKEL ALLOY

TOLERANCE UNLESS OTHERWISE SPECIFIED		CUSTOMER COPY			Coorle Technology		
LINER	ANGLES	PROJECTION			PROD. TOP ENTRY PCB JACK DESCRIP. (8P8C SHIELD)		
0 ± 0.50	± 3'				PROD. NUMBER		
.0 ± 0.38							
.00 ± 0.25							
DESIGN	Wesley Yu	10/22/11	UNIT	SCALE	SIZE	REV.	
APPRO.			MM	/	A4	B	

**ROHS**